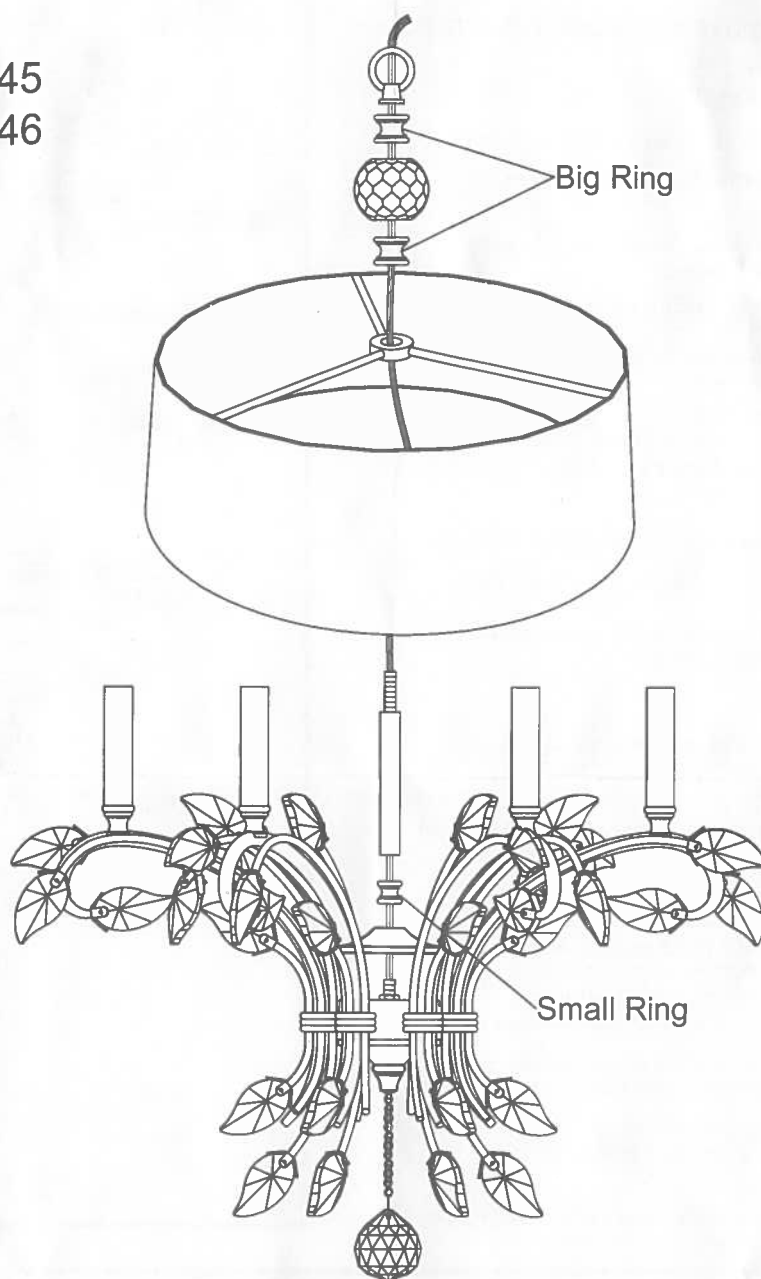


UTTERMOST

ASSEMBLY INSTRUCTIONS

21245
21246



1. Thread wires though the parts in order as shown.
2. Place cap and small ring over nipple of body and secure with center tube.
3. Place shade, big ring, crystal and other big ring over nipple of center tube and secure with loop.

UTTERMOST

ASSEMBLY INSTRUCT

FOR PENDANT LIGHT FIX

NOTE: ALWAYS TURN POWER OFF BEFORE INSTALLING LIGHTING FIXTURES!

IMPORTANT: YOU SHOULD USE A QUALIFIED ELECTRICIAN TO INSTALL THIS FIXTURE.

Installation (see Fig.A)

1. Disconnect power at main electrical panel before installation
2. Attach **mounting strap** to **outlet box** using **box screws** provided with **outlet box**.
3. Screw **threaded nipple** into **collar loop** as far as it will go. Secure with **lock washer** and **hexnut**.
4. Screw **threaded nipple** into **mounting strap** approximately 1/2 inch. Adjust height of **collar loop** by temporarily holding **canopy** in place against ceiling with **collar loop** extending downward through hole in **canopy**.
5. Adjust length of **chain** & **fixture wire** to what is needed for your installation, removing excess. Use a **quick link** to attach the **chain** to the **loop** on the fixture. Thread **fixture wire** through **chain** links, weaving wire through every second link.
6. Pull ends of **chain** and wires through **collar ring** and **canopy**
7. Use a **quick link** to attach the end of **chain** to the **collar loop**.
8. Pass ends of **fixture wires** through center hole of **collar loop**, **threaded nipple**, and **mounting strap**.

Wiring (see Fig.B)

9. Split the conductors of the **fixture wire** about 4 inches. Being careful not to expose any of the wire inside of the insulation.
10. Connect the **fixture ground wire** and the **outlet box ground wire** to **mounting strap** with GREEN hex-head **ground screw** to tapped hole in **mounting strap** marked "GND".
11. Connect the half of the **fixture wire** that is white, marked, or has a ribbed surface to the **outlet box supply wire** (WHITE). Connect the other half of the **fixture wire** that is black, unmarked, or has a smooth surface to the **outlet box supply wire** (BLACK or RED). Use **wirenuts** provided.
12. Spread the electrical splices so that the black wire are on one side of the **outlet box** and the white wire are on the other side.
13. Slide **canopy** up into place against ceiling. Slide **collar ring** up and thread onto **collar loop** to secure **canopy** in place.

NOTE: Make sure chain supports the weight of the light fixture and no weight is on either supply or ground wires.

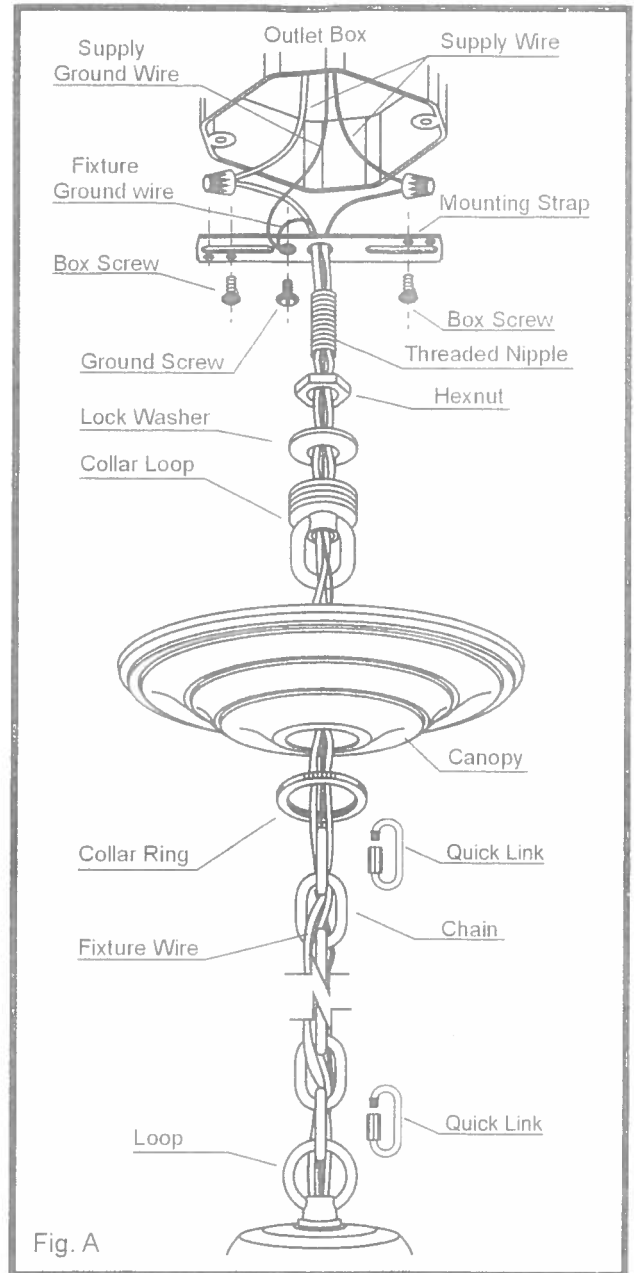


Fig. A

Fig. B

Connect Black or Red House Wire to:	Connect White House Wire to:
Black	White
Parallel cord - SPT I & II (round & smooth)	Parallel cord - SPT I & II (square & ridged)
Clear, Brown, Gold or Black (without tracer)	Clear, Brown, Gold or Black (with tracer)
Insulated Wire (Other than GREEN) with copper conductor	Insulated Wire (Other than GREEN) with silver conductor